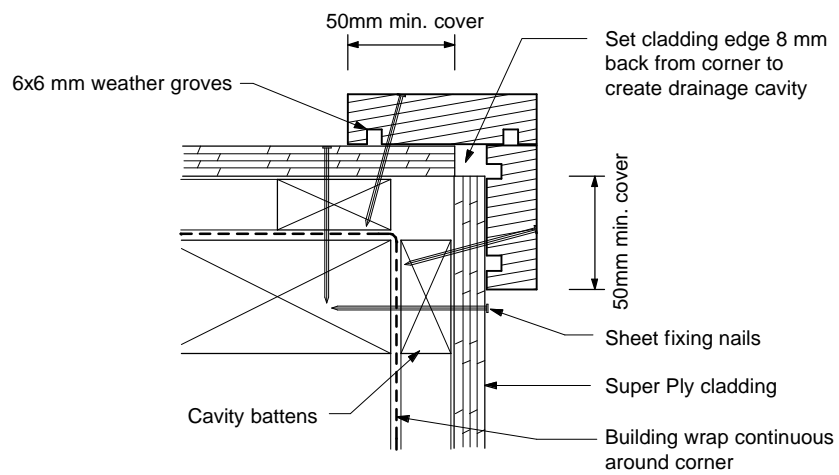


Studs can be 45mm or 35mm wide

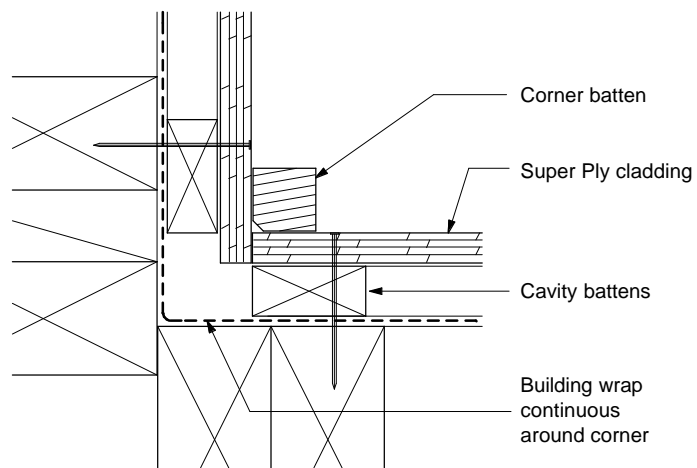
The intermediate support for insulation between the studs can be a cavity batten, polypropylene tape or 75mm galvanised wire mesh.

CAVITY BATTEN LAYOUT AT WINDOW OPENING

Note : 100mm long horizontal packers to be installed mid-dwang if intermediate vertical battens not used. Packers must be set to fall 5° fall.

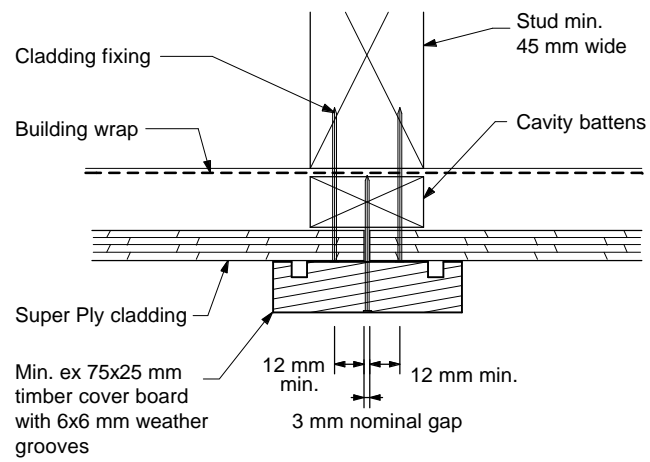


EXTERNAL CORNER CONNECTION



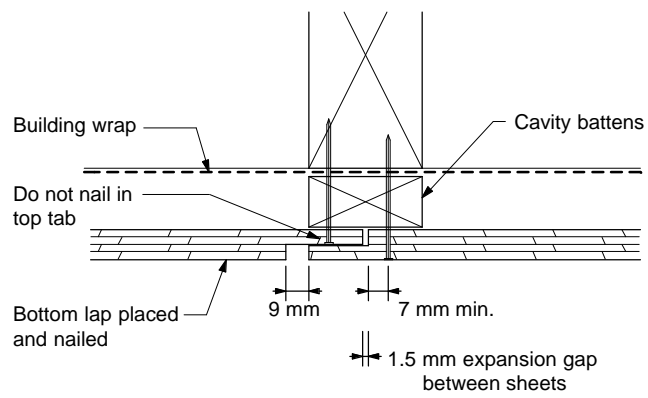
INTERNAL CORNER CONNECTION

Roseburg Cedar - Tone Super Ply Cavity System
Cedar Products Limited
Detail No. 3
Date 20 July 2005



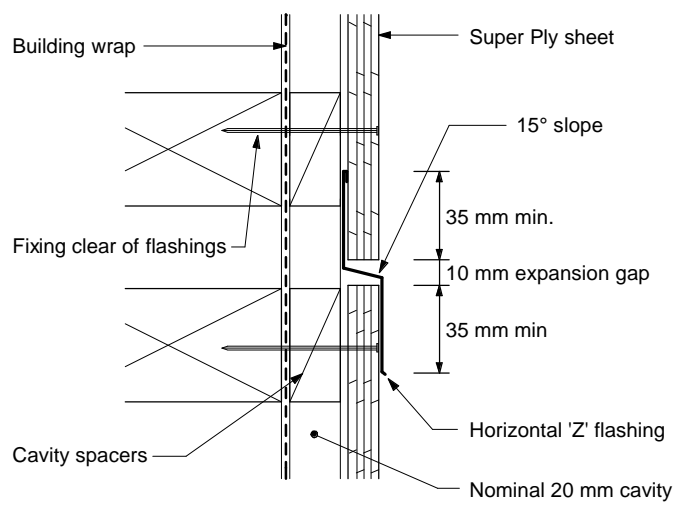
PLYWOOD BATTENED JOINTS

Roseburg Cedar - Tone Super Ply Cavity System
 Cedar Products Limited
 Detail No. 4
 Date 20 July 2005



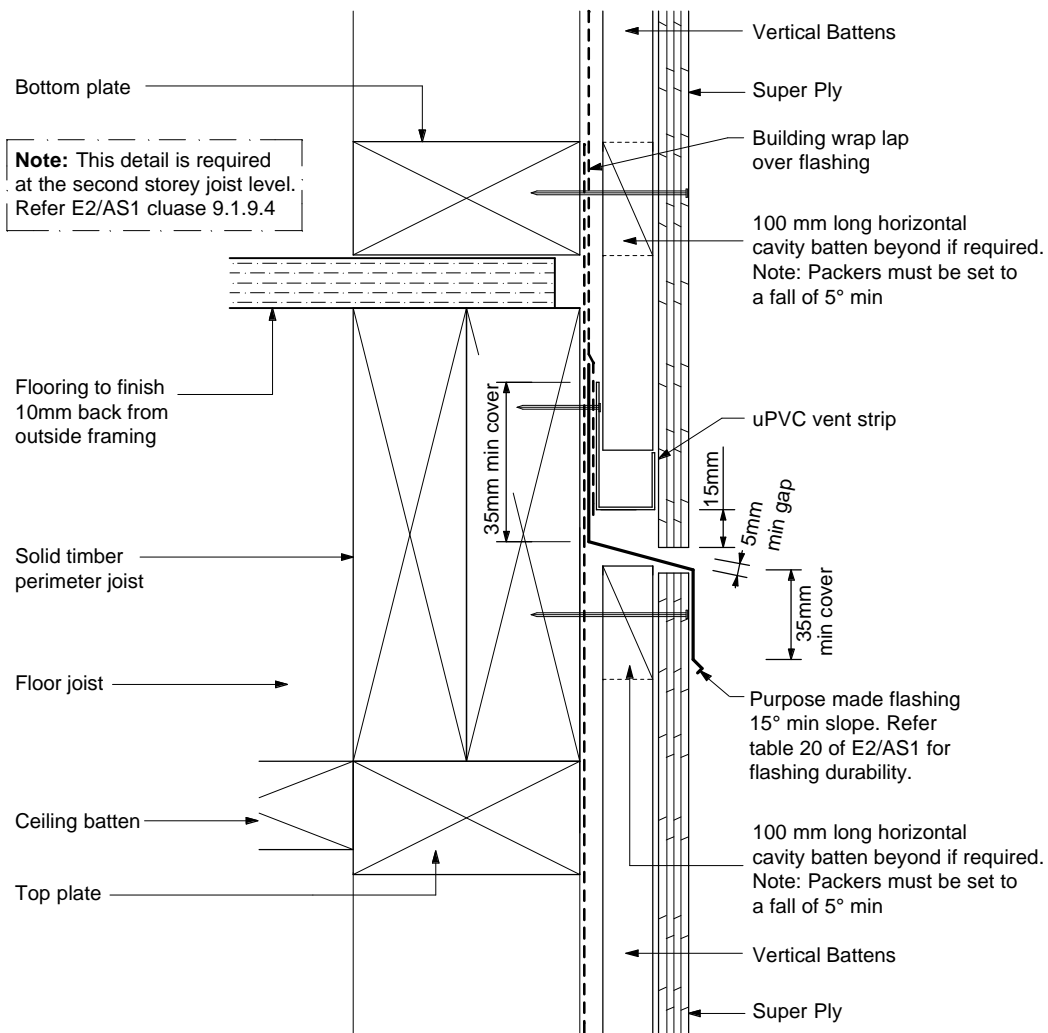
VERTICAL LAPPED JOINTS

Roseburg Cedar - Tone Super Ply Cavity System
Cedar Products Limited
Detail No. 5
Date 20 July 2005



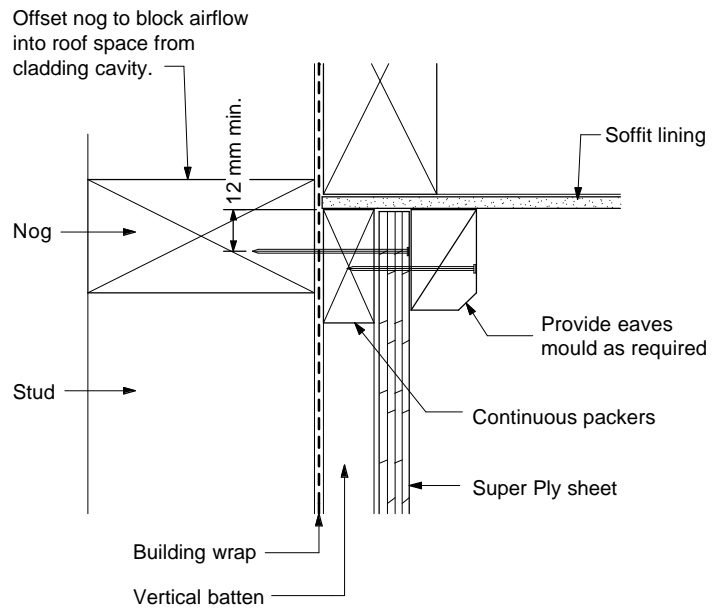
HORIZONTAL LAPPED JOINTS

Roseburg Cedar - Tone Super Ply Cavity System
 Cedar Products Limited
 Detail No. 6
 Date 20 July 2005



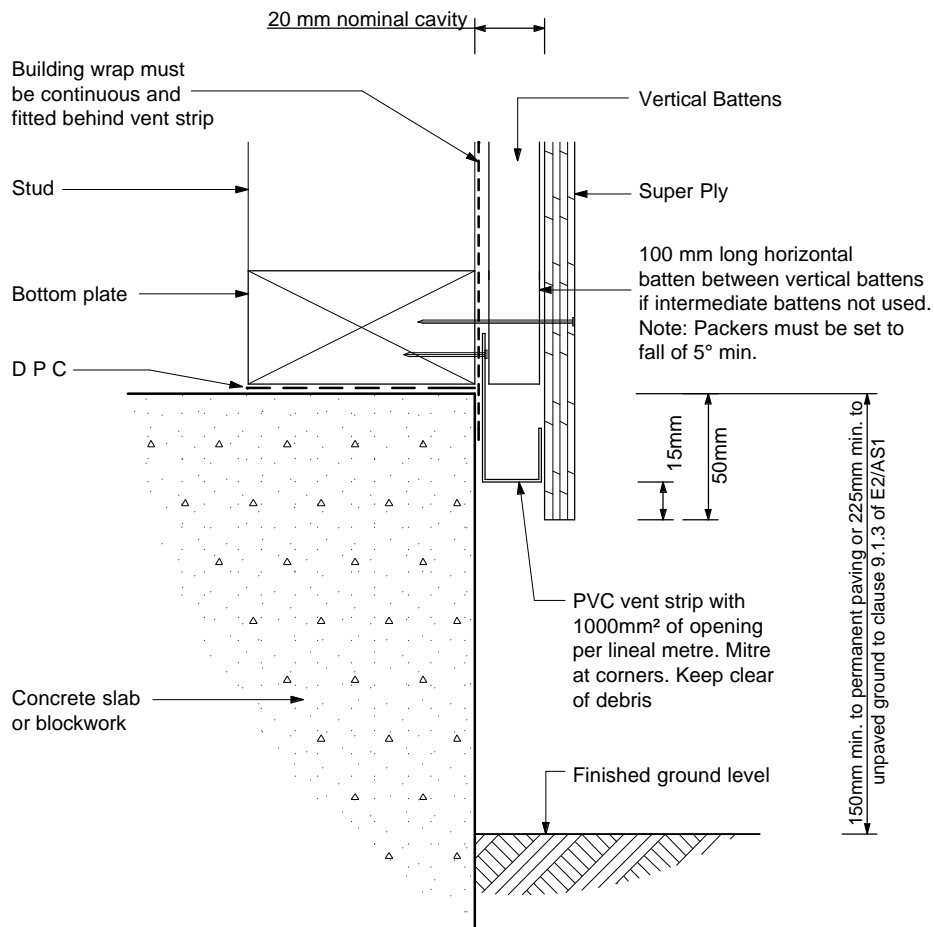
DRAINED INTER-STOREY JOINT

Roseburg Cedar - Tone Super Ply Cavity System
 Cedar Products Limited
 Detail No. 7
 Date 20 July 2005

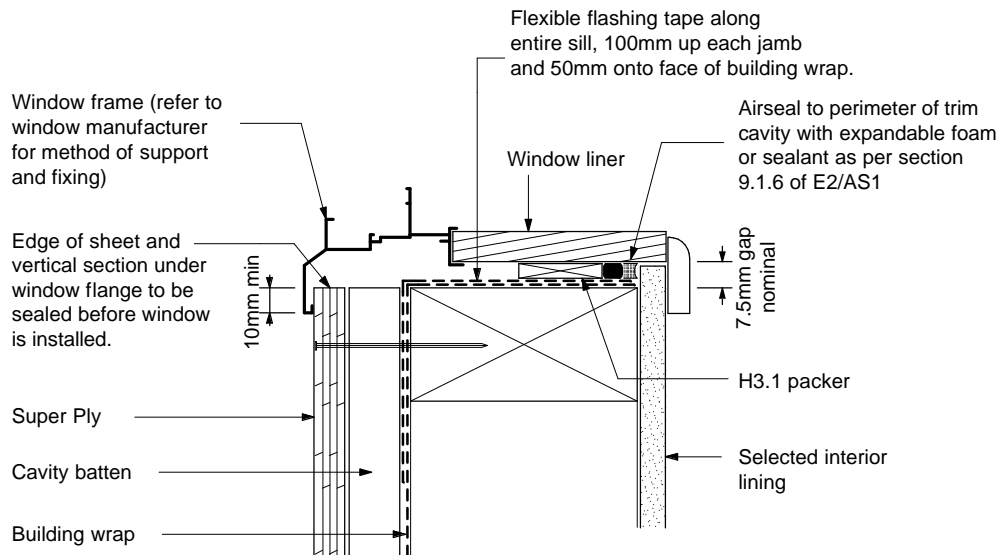


SOFFIT DETAIL

Roseburg Cedar - Tone Super Ply Cavity System
 Cedar Products Limited
 Detail No. 8
 Date 20 July 2005



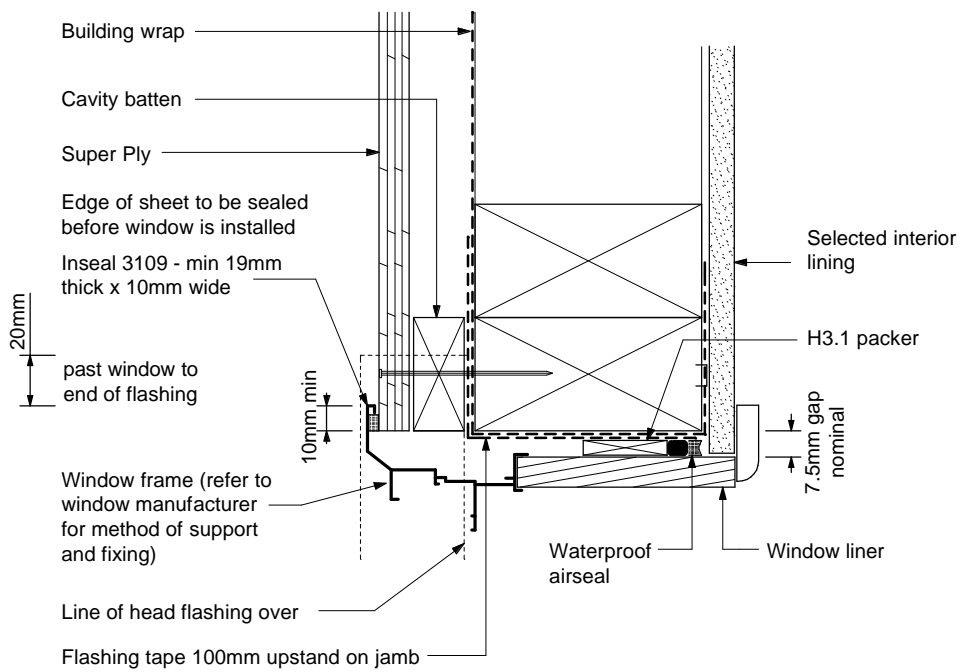
FOUNDATION DETAIL



WINDOW SILL

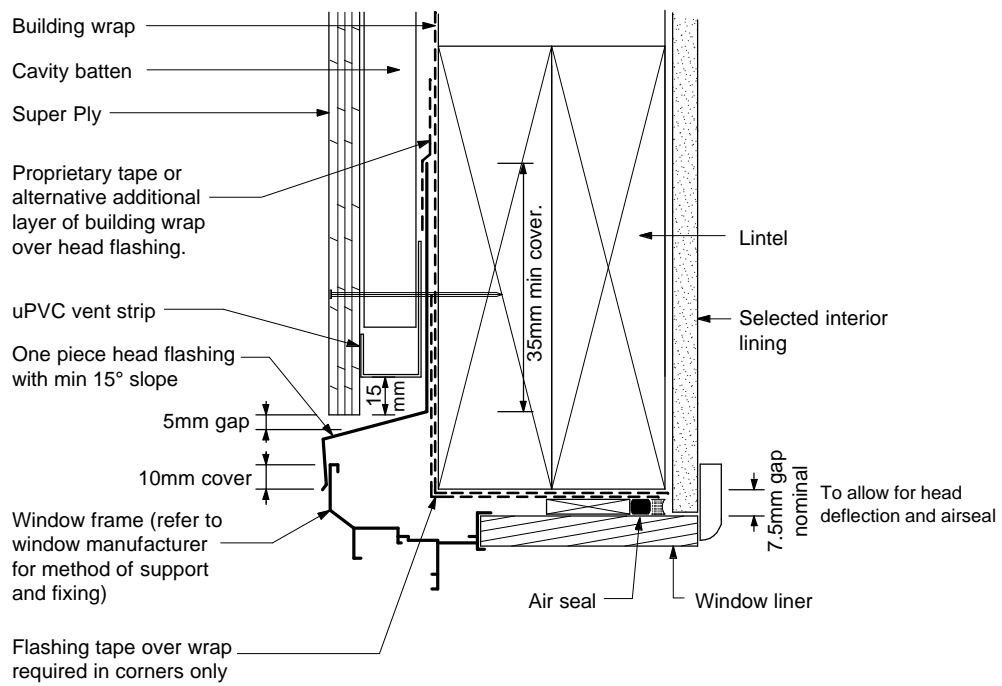
General notes for materials selection

1. Flashing materials must be selected based on environmental exposure, refer to NZS 3604 and Table 20 of NZBC E2/AS1.
2. Building wrap must comply with Acceptable Solution E2/AS1.
3. Flashing tape must have proven compatibility with the selected building wrap and other materials with which it comes into contact.
4. A sloped sill trimmer is required when glazing pocket of window / door frame is positioned back past the line of wall framing.



WINDOW JAMB

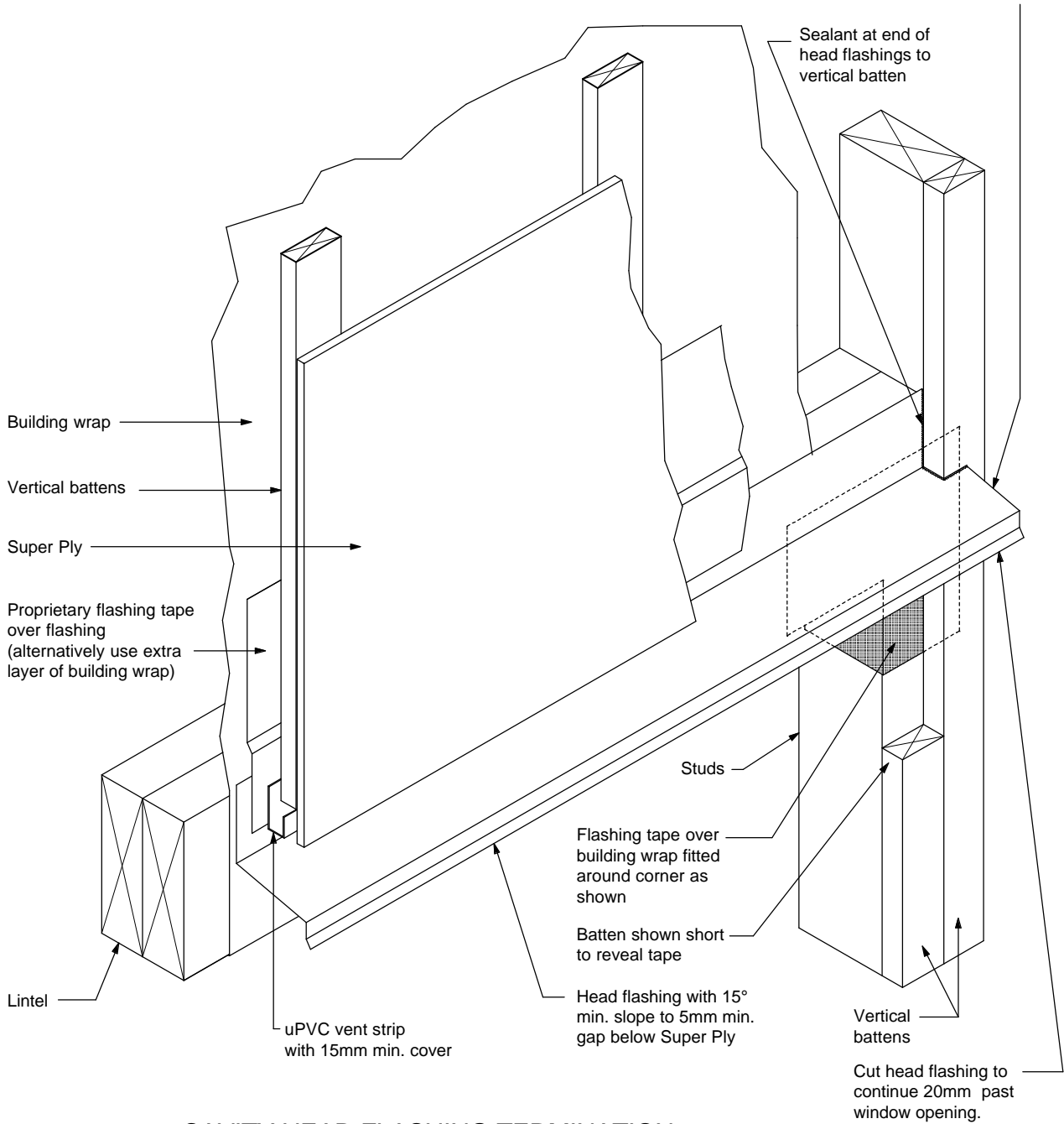
Roseburg Cedar - Tone Super Ply Cavity System
 Cedar Products Limited
 Detail No. 11
 Date 20 July 2005



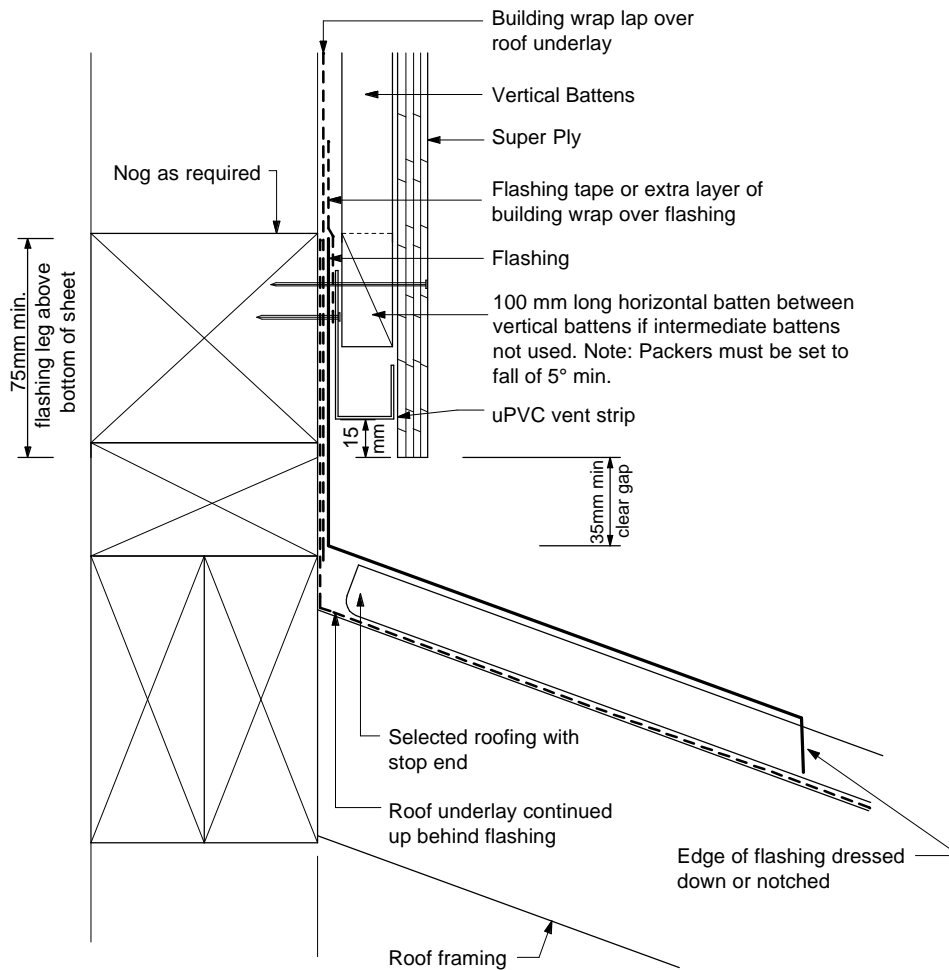
WINDOW HEAD

Roseburg Cedar - Tone Super Ply Cavity System
 Cedar Products Limited
 Detail No. 12
 Date 20 July 2005

NOTE: Accurate slot to be cut in Super Ply sheet to enable fit around head flashing. Prevent moisture ingress at end of slot by sealing gap.



CAVITY HEAD FLASHING TERMINATION

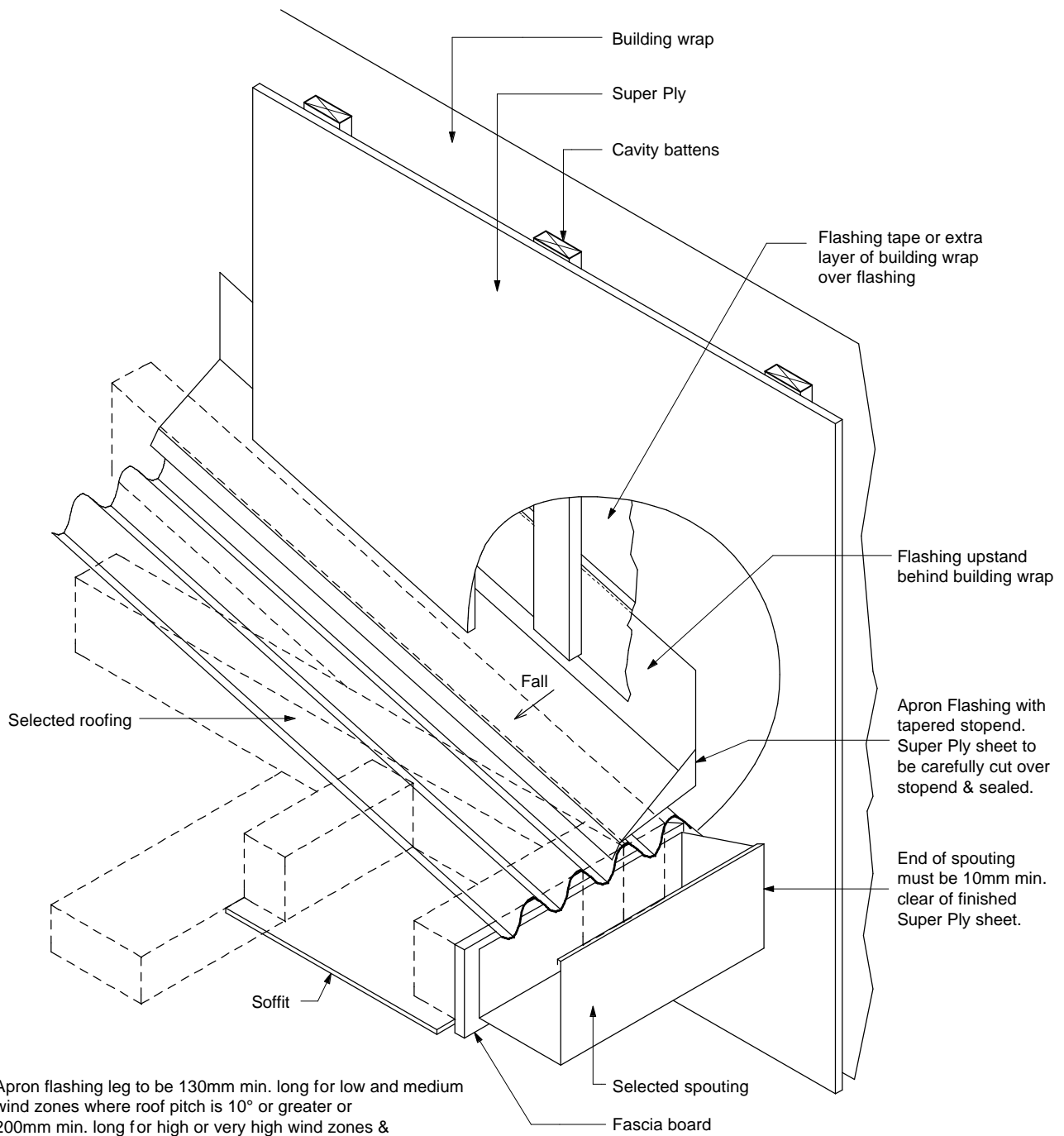


NOTE

Roofing leg to be 130mm min. long for low or medium wind zones where roof pitch is 10° or greater or 200mm min. long for high or very high wind zones and where roof pitch is less than 10° for all wind zones.

CAVITY APRON FLASHING JOINT

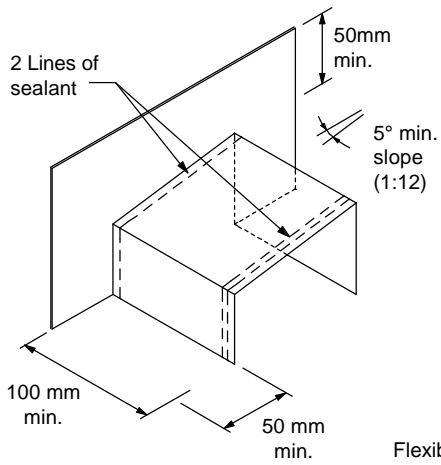
Roseburg Cedar - Tone Super Ply Cavity System
 Cedar Products Limited
 Detail No. 14
 Date 20 July 2005



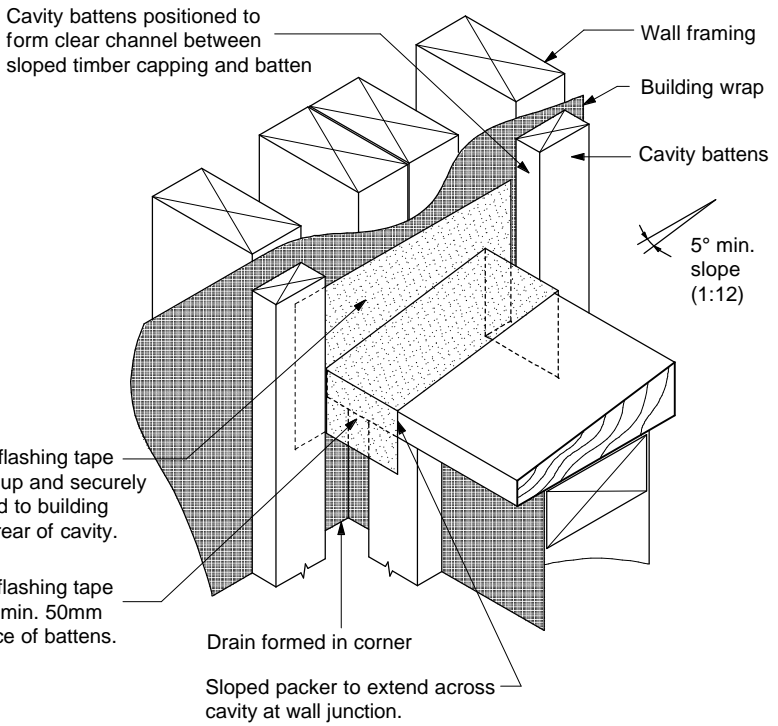
Apron flashing leg to be 130mm min. long for low and medium wind zones where roof pitch is 10° or greater or 200mm min. long for high or very high wind zones & where roof pitch is less than 10° for all wind zones.

GUTTER / WALL JUNCTION

Roseburg Cedar - Tone Super Ply Cavity System
 Cedar Products Limited
 Detail No. 15
 Date 20 July 2005

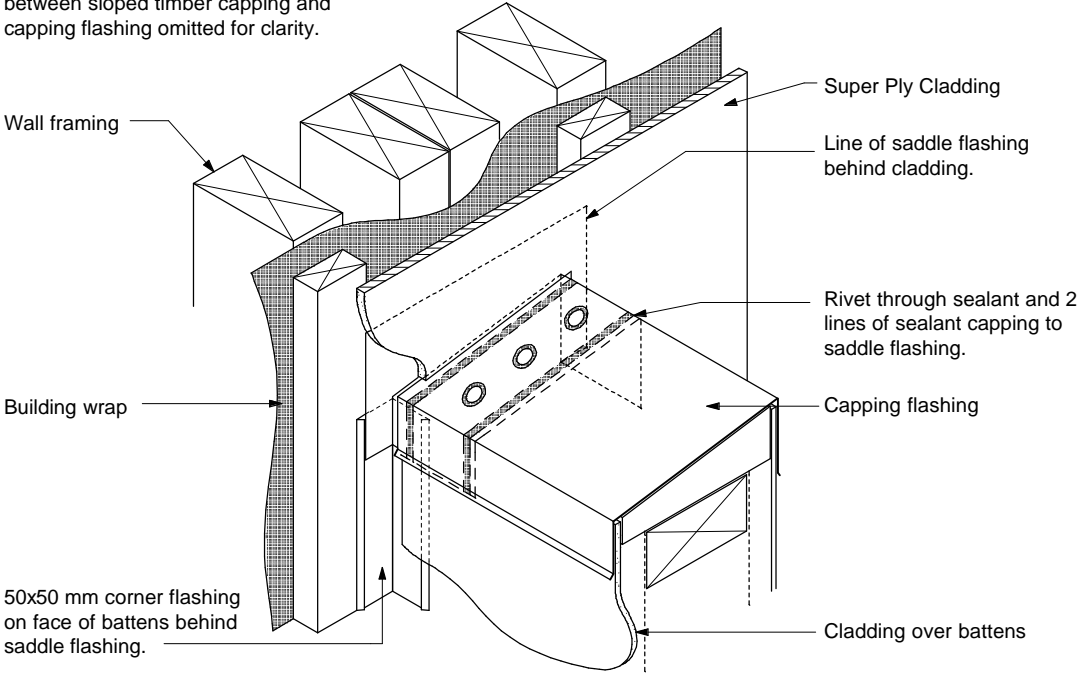


(a) SADDLE FLASHING

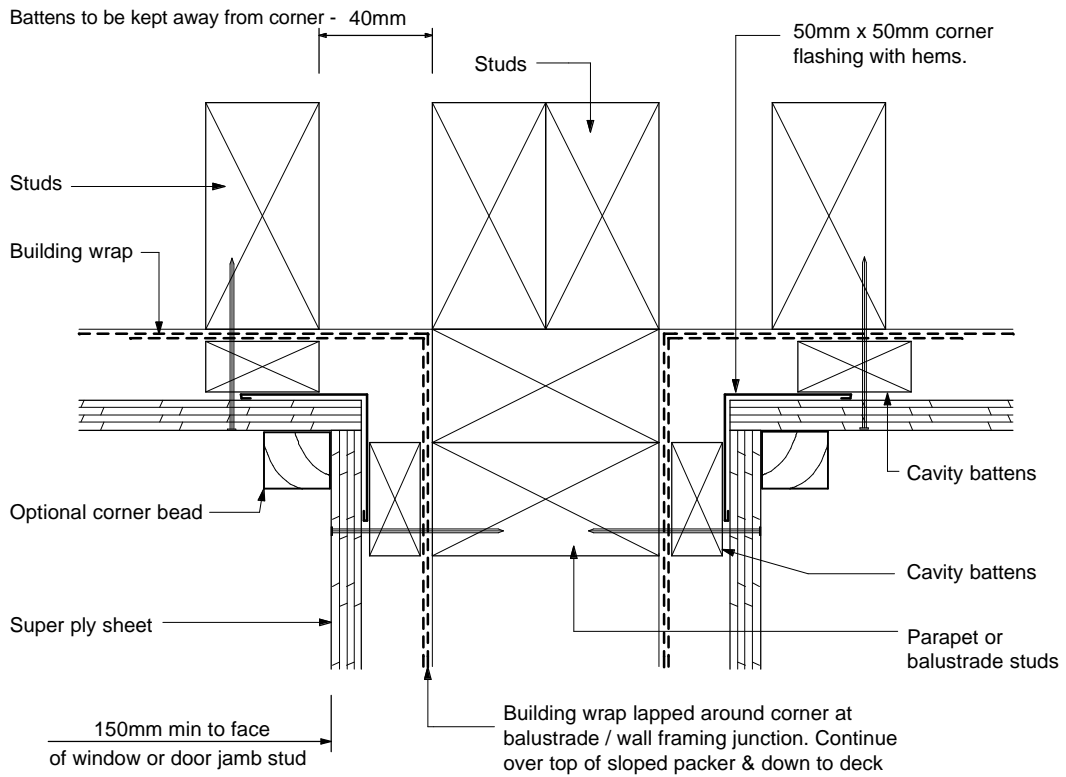


(b) STAGE 1 FLEXIBLE FLASHING INSTALLATION

NOTE: Separation layer of underlay between sloped timber capping and capping flashing omitted for clarity.

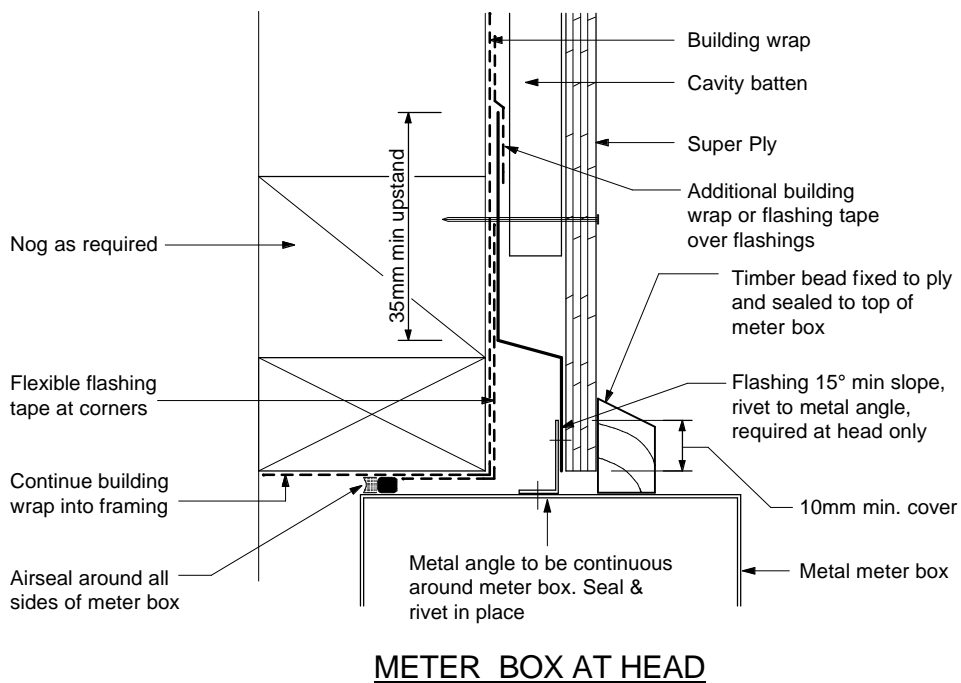
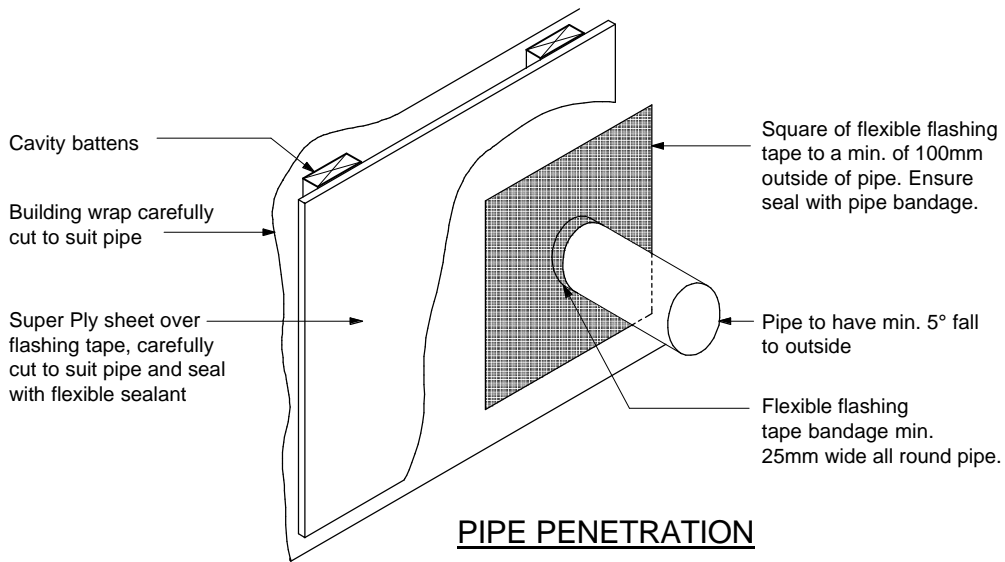


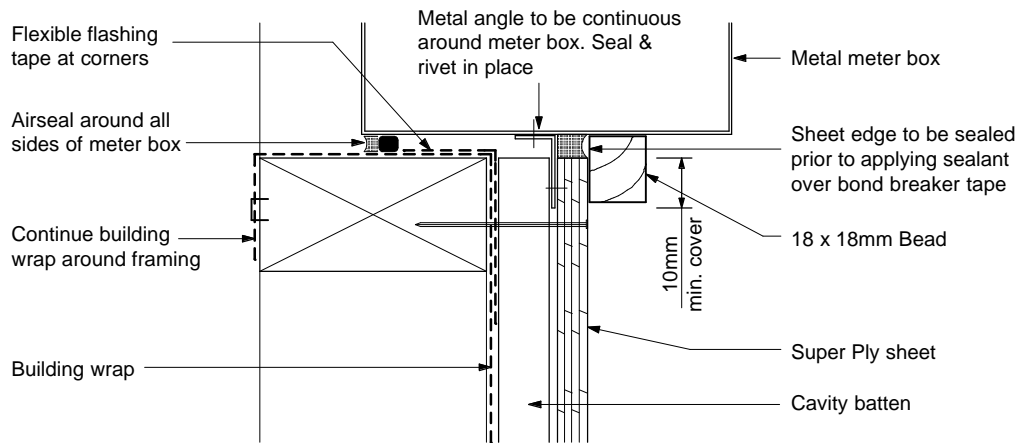
(c) STAGE 2 SADDLE FLASHING INSTALLATION



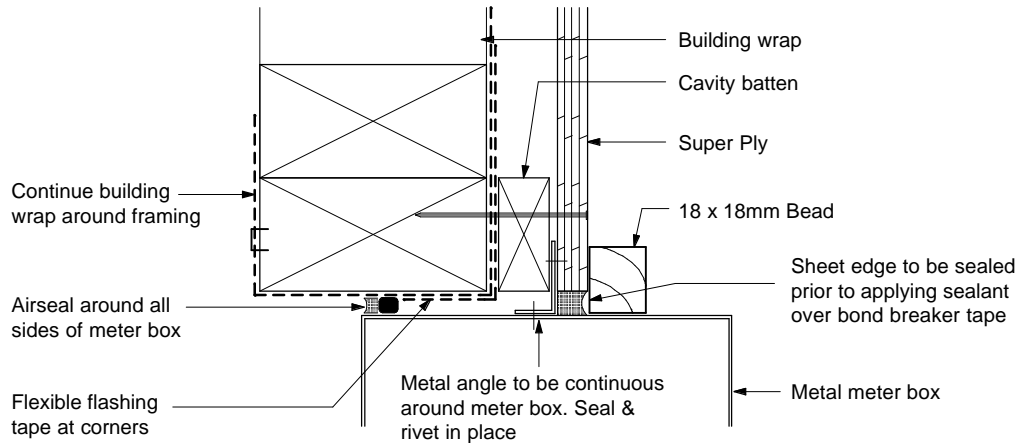
ENCLOSED DECK BALUSTRADE TO WALL JUNCTION

Roseburg Cedar - Tone Super Ply Cavity System
 Cedar Products Limited
 Detail No. 17
 Date 20 July 2005

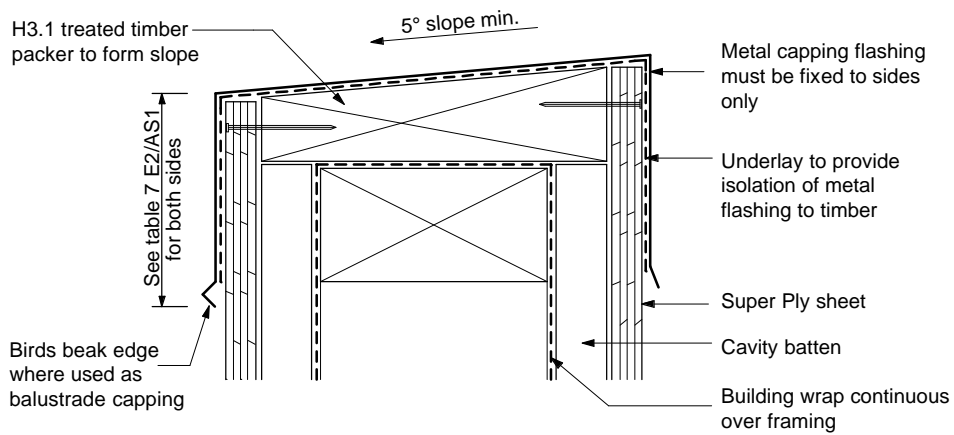




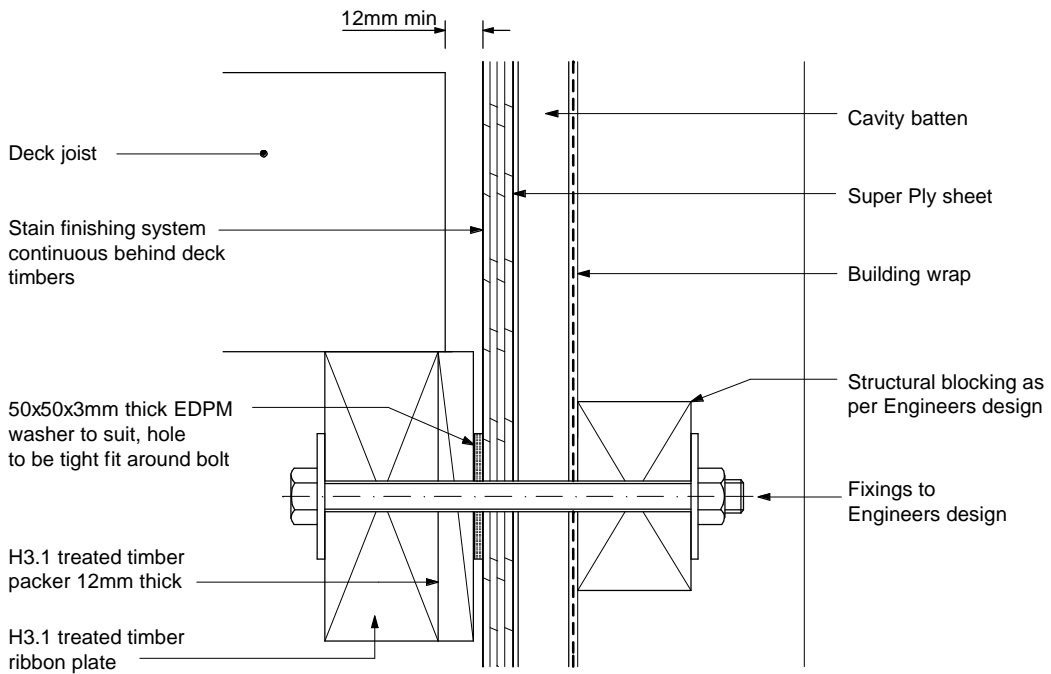
METER BOX AT SILL



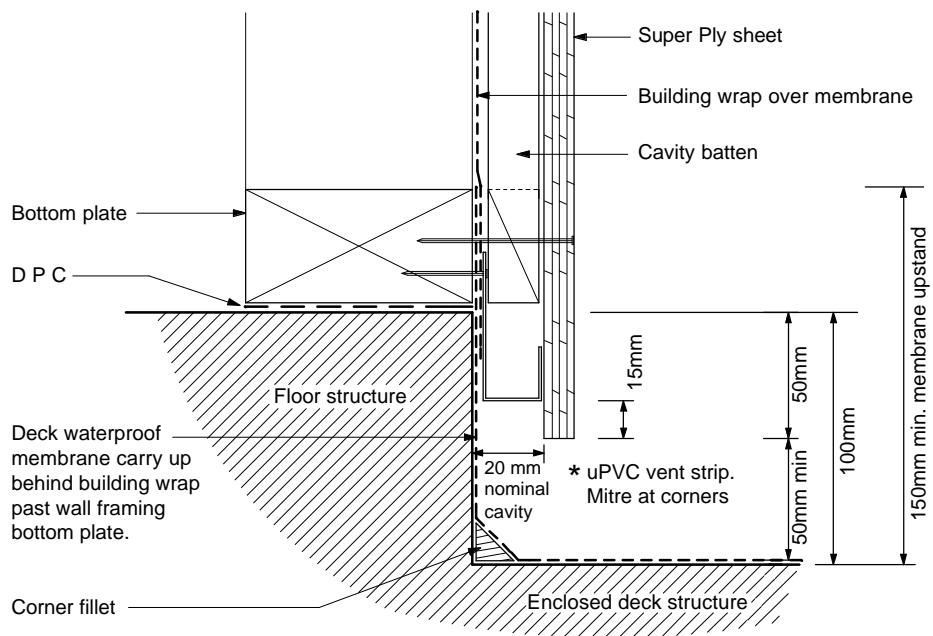
METER BOX AT JAMB



PARAPET / BALUSTRADE FLASHING



DECK JUNCTION



* Drain holes in uPVC vent strip are sufficient to achieve ventilation openings of 1000mm² per lineal metre.

CAVITY AT ENCLOSED DECK